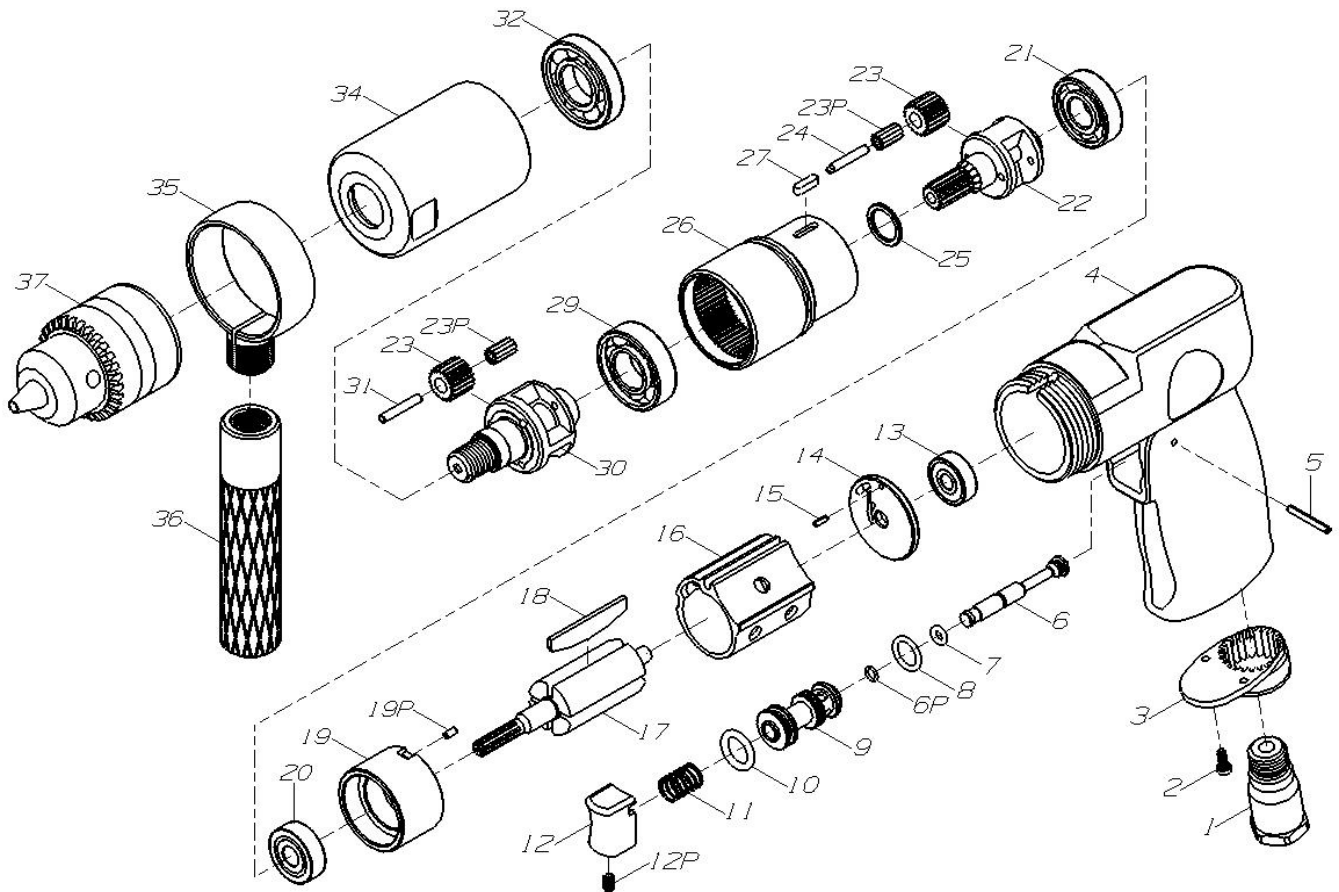


1/2" HEAVY DUTY AIR DRILL



5405

INDEX NO.	DESCRIPTION	REQ'D NO.	INDEX NO.	DESCRIPTION	REQ'D NO.
01	Inlet Bushing	1	19	Front End Plate	1
02	Screw	2	19P	Pin	1
03	Muffler Deflector	1	20	Ball Bearing	1
04	Motor Housing(Incl.#4P)	1	21	Ball Bearing	1
04P	Screw	1	22	Planet Cage	1
05	Pin	1	23	Planet Gear (Incl.#23P*9)	5
06	Valve Stem	1	23P	Needles	45
06P	O-Ring	1	24	Planet Pin	2
07	O-Ring	1	25	Washer	1
08	O-Ring	2	26	Internal Gear	1
09	Valve Bushing	1	27	Key	1
10	O-Ring	1	29	Ball Bearing	1
11	Spring	1	30	Planet Cage	1
12	Trigger	1	31	Planet Pin	3
12P	Screw	1	32	Ball Bearing	1
13	Ball Bearing	1	34	Nose Housing	1
14	Rear End Plate	1	35	Clamp Ring	1
15	Pin	1	36	Handle	1
16	Cylinder	1	37	1/2" Chuck	1
17	Rotor	1		1/2" Keyless Chuck	
18	Rotor Blade	4			

2002.10.04 2006.04.01

2003.04.02 2007.08.08